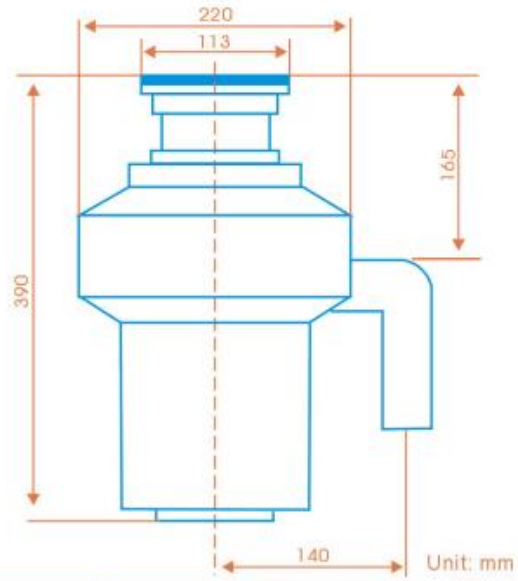


**Product Characteristics:**

- P.M. Moter
- Stainless steel grinding-room
- Overload protector
- Completely seal sound arrester
- Washer connector
- Large capacity grinding-room
- Alloy quick connector
- High strength plastic structure



**Technical Parameter:**

Type	Voltage(V)	Frequency(Hz)	Current(A)	Rotation speed ( r/min )	Power(W)
GFC701 MK II	AC 220	50	3.45	2600	560